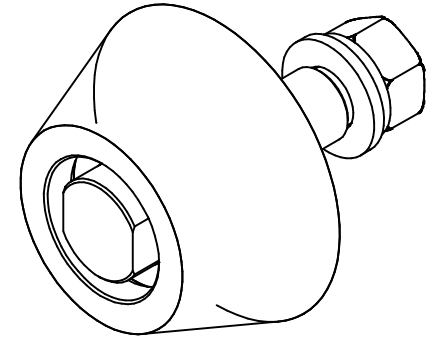
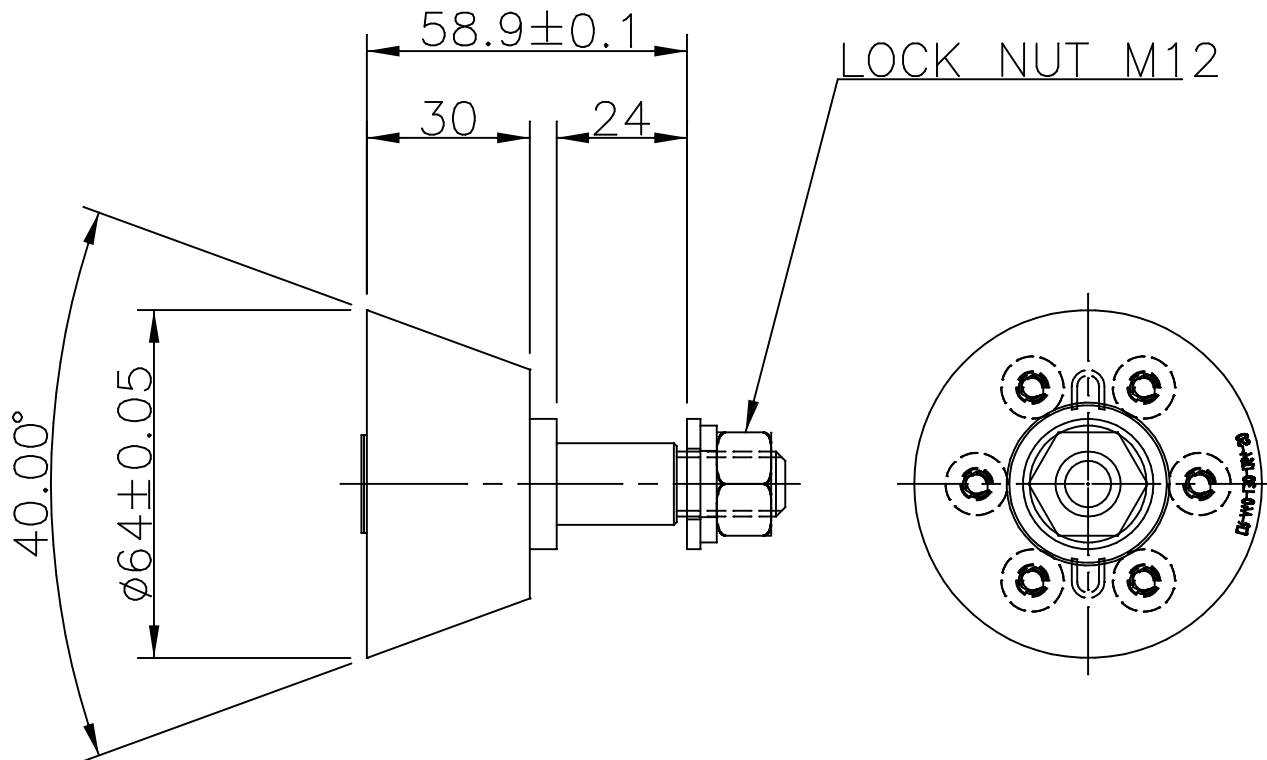


TYPE-1



TYPE-2



SCALE	NAME	Q'TY
1 / 1	Roller Ass'y (TAPER)	1SET
MODEL	DWG.NO	
	CR-A40-L30-D64-S0	