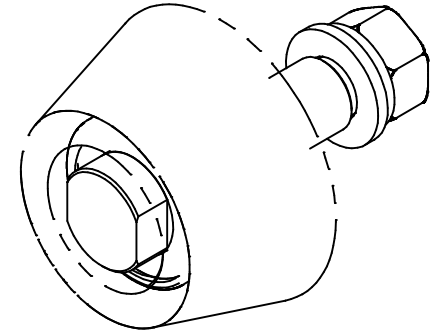
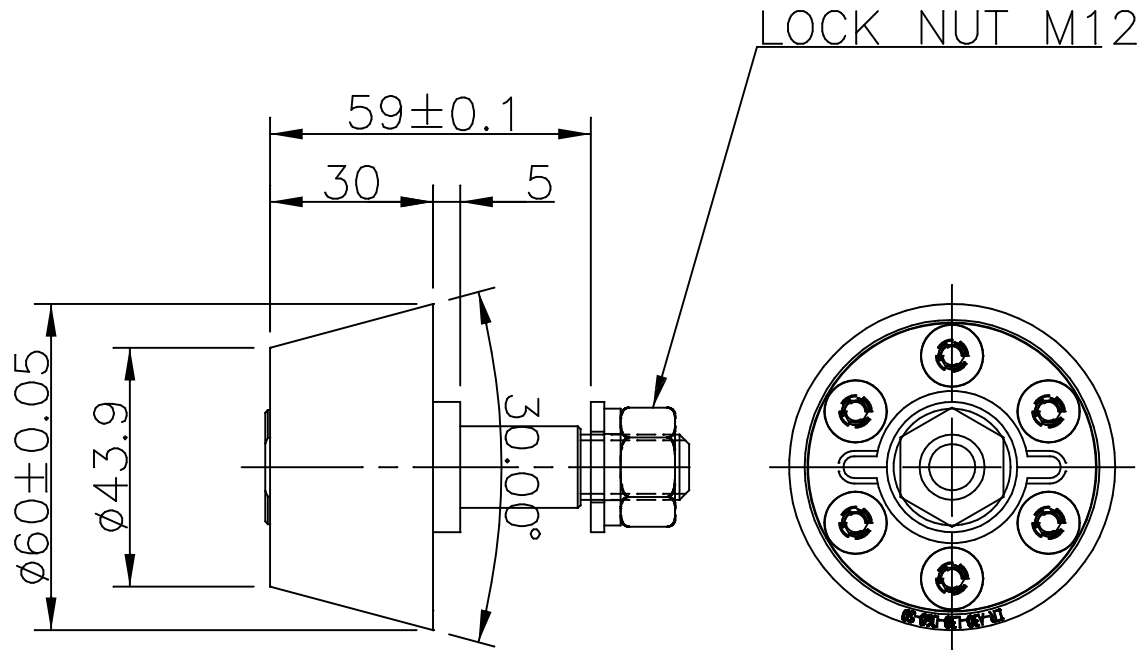


TYPE-1



TYPE-2



SCALE 1 / 1	NAME Roller Ass'y (TAPER)	Q'TY 1SET
MODEL	DWG.NO CR-A30-L30-D60-S0	