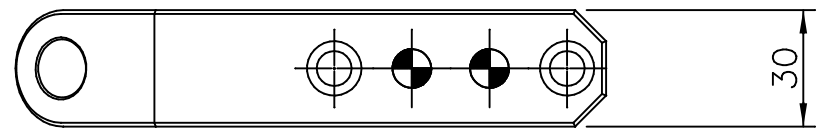
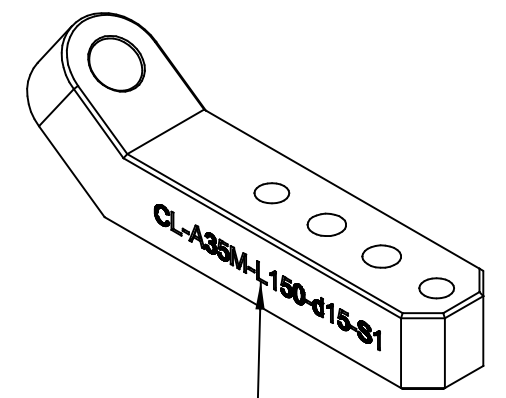


MARKING
CL-A35M-L150-d15-S1



SCALE	NAME	Q'TY
1 / 1	LINK	1 EA
MODEL	DWG.NO	
	CL-A35M-L150-d15-S1	