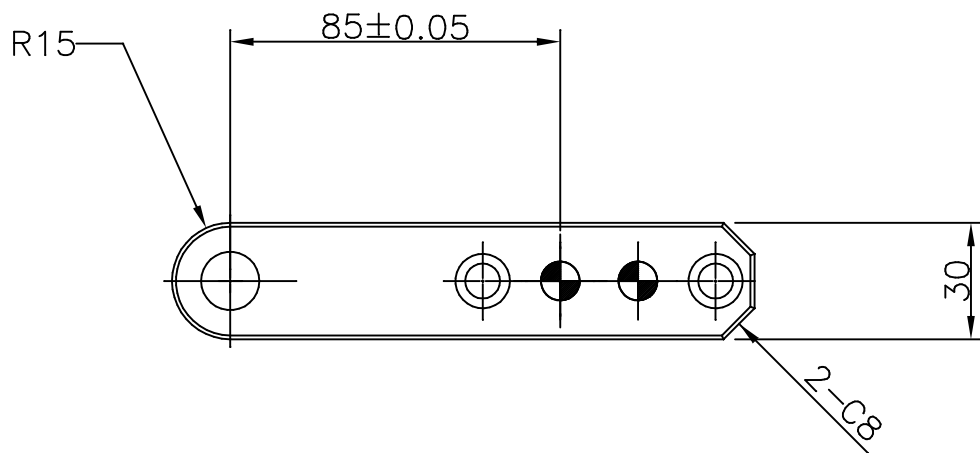
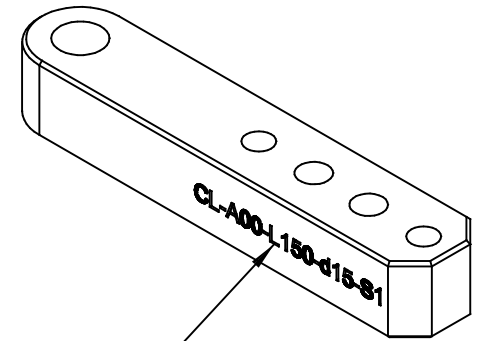


MARKING
CL-A00-L150-d15-S1



SCALE	NAME	Q'TY
1 / 1	LINK	1EA
MODEL	DWG.NO CL-A00-L150-d15-S1	